



Drum Shape Rice Cooker

Manual



**Special announcement:**

All the data are checked to the letter. If any misunderstanding occurs due to print failure or misunderstanding of the content, we reserve the right of final explanation.

**Also:**

If technical improvement occurs, it will be included in new version of user manual and will not inform; the product appearance, colour changes, please refer to the actual product.

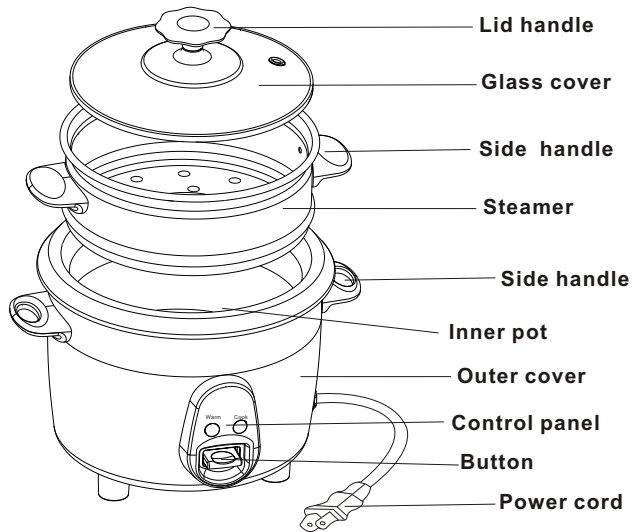
FIVE STAR ESTABLISHMENT  
P.O.BOX: 4734, SAFAT: 13048, KUWAIT  
Tel: 00965-2240 1482  
[Http://www.5starest.com](http://www.5starest.com)  
Email: [fivestarest@gmail.com](mailto:fivestarest@gmail.com)

SB-134

## Features

Thank you for your purchasing Galanz automatic rice cooker. This product is beautiful, easy for use and of reasonable design. This cooker can not only cook rice, but also can steam, cook porridge and soup. After finished, it will switch off automatically and enter keeping warm mode which can offer delicious food.

## Components



Model	Rated voltage	Rated power	Pot capacity	Outer dimension
SB-134	220-240V~50/60Hz	350W	0.8L	245X205X275

## Safeguard

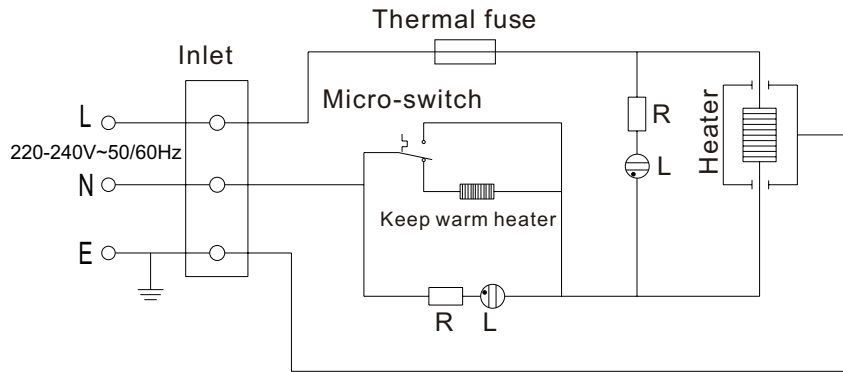
1. Please use the provided plug and wall electric socket.
2. Do not connect the power when not in use or not having put inner pot into the main body.
3. Do not put the cooker on damp or unsteady place. Keep away from fire or heat source.
4. Inner pot can not be tilted to one side and the heating plate must be dry and clean, otherwise it will cause burn to the component.
5. While serving rice, please use the provided spatula. Clean it with damp sponge or soft cloth. It is forbidden to wash the inner pot with sharp tool lest damage. Before cleaning, please plug off.
6. If the supply cord is damaged, please replace it with a specified cord rather than other cords or refer to designated service center.
7. Do not immerse cooker in water to clean, otherwise it will cause electric shock, short circuit or fire.
8. This appliance is not intended for use by persons (including children) with reduced physical, sensory or mental capabilities, or lack of experience and knowledge unless they have been given supervision or instruction concerning use of the appliance by a person responsible for the safety.
9. Children should be supervised to ensure that they do not play with the appliance.

## Operation

**Before using, please read this instruction carefully.**

1. Measure rice with measuring cup. One measuring cup of rice is 0.18L (about 150g). Wash the rice with other container and never use inner pot to avoid risk of damaging the non-sticking coating or inner pot deformation.
2. Pour rice into inner pot, and add water according to the quality and amount of rice. Method recommended: add more water than average. For example: 1 cup of rice, 1.5~2 cups of water; 3 cups of rice, 3.5~4 cups of water. Never add water to exceed the maximum water level marked on the inner pot.
3. Clean and dry inner pot, then put it back into the main body, and gently turn left and right to make it adequately contact with the heating plate.
4. Connect the cord to the cooker and plug it into the nearest outlet. Press the button slightly, the light is on, and the rice cooker can immediately start to cook rice.
5. After cooking, the button can rise automatically to stop heating. The cooker can enter keeping warm mode. After 10 minutes of this mode, the rice is completely cooked well. Keeping warm temperature is between 70 and 80 degree. If no need of keeping warm, please plug off.
6. When cooking porridge or steaming, the temperature in the inner pot can not reach the required temperature to keep warm. So after finishing cooking, the cooker can't cut power automatically, you must press the button by hand to stop and enter keeping warm mode.

Circuit diagram



Malfunction check

Serious	Malfunction	Causes	Solutions
1	Indicator failure	Circuit power disconnect	Check switch, socket, fuse, power conductor no failure, plug in right place.
	Plate doesn't heat up		Send to designated service center
2	Plate heat up	1. The indicator of connect wires loose. 2. indicator light burned.	Send to designated service center
	Plate doesn't heat up	1. the middle of connect wires loose. 2. heating components burned bad.	
3	Rice not done well or cooking time too long	1. heating plate deformation. 2. inner pot title to one side 3. foreign residue between heating plate and inner pot. 4. inner pot deformation 5. cooking time not enough long	1. Serious deformation send to designated service to exchange. 2. turn inner pot to make it normal. 3. when stick foreign matter, clean with sand paper. 4. send to designated service center to exchange inner pot 5. follow the requirement to cook
4	Rice burned or can not keep warm automatically	1. cook button and lever are not flexible. 2. The thermostat is out of order 3. The thermostat burned up or connect wires loose.	send to designated service center
5	Spill	Stop up the outlet of glass cover or porridge / soup is excessive.	No foreign residue and water never exceed the maximum scale.
6	Electricity leak	1. The soup goes into the power cable plug or switch, it make resistance descend. 2. The plug connected to wrong line. 3. The ground line don't connect well.	Send to designated service center

Don't repair the cooker by yourself .  
If any problem, please send it to service center.

