

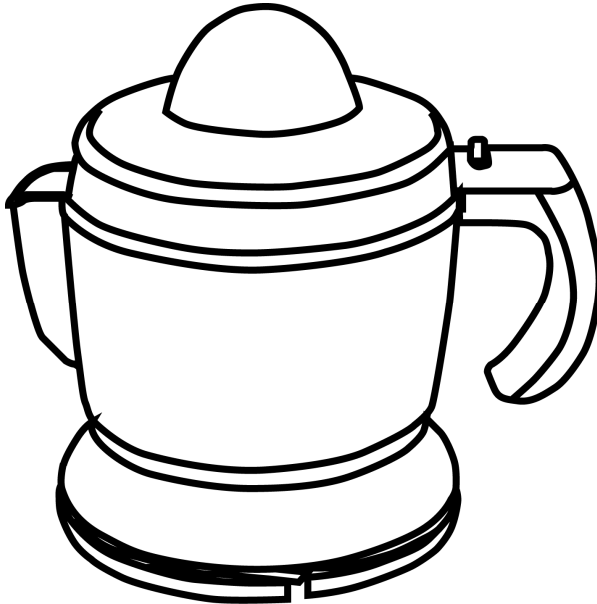


**SB*****BOSE***<sup>®</sup>  
**THE FAMILY ENTERTAINER**

THE GROUP OF FIVE STAR EST.

## INSTRUCTION MANUAL

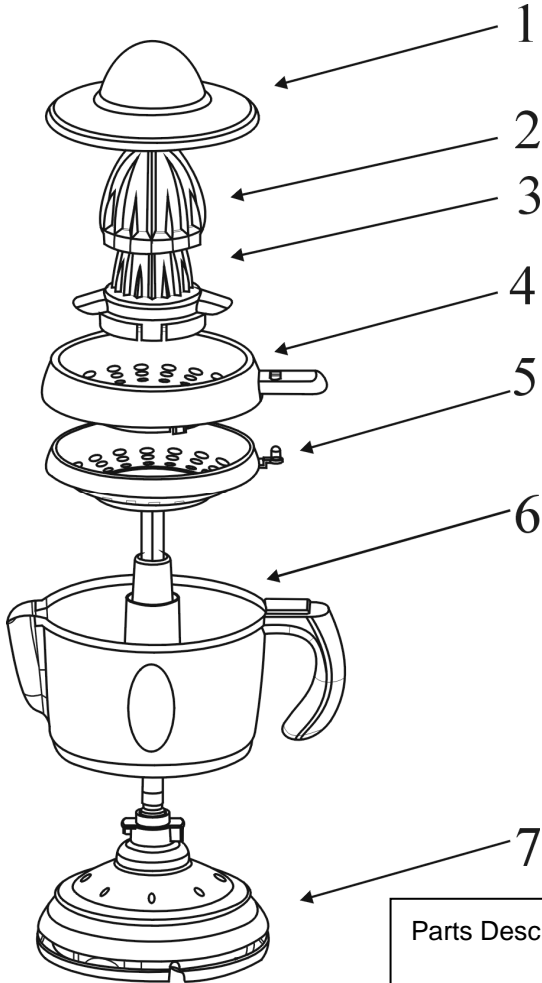
### JUICER



**Model: SB-139**

**Read this booklet thoroughly before using and save it for future reference**

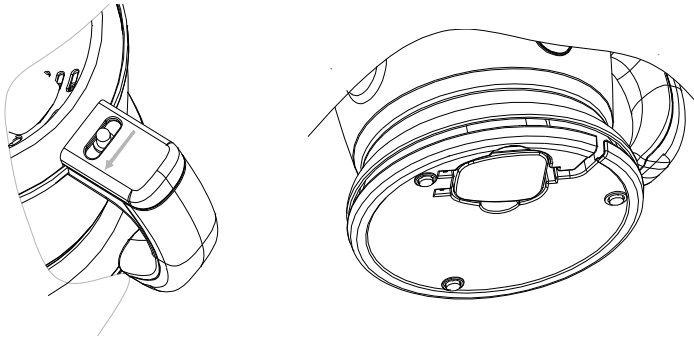
**SBOSE® Citrus Juicer**



- Parts Description:
- 1. Lid
  - 2. Large Reamer
  - 3. Small Reamer
  - 4. Upper Sieve
  - 5. Lower sieve
  - 6. Cup
  - 7. Base Unit

The two reamers are designed for squeezed various size citrus. A large size citrus need to press against the large reamer, if a small size citrus is squeezed, the large reamer is needed to remove and use the small reamer only.

Adjust the relative position of upper and lower sieve can control the size of sieve hole into which the squeezed juice would flow through. Turning the knob on the handle toward left would enlarge the sieve hole as illustrated below.



#### Cord storage

The power cord can be wrapped around the groove on the base unit for easier storage when not in use. Also the plug can be embedded into the bottom of base unit as illustrated above.

### **Important safeguards**

Before using the SBOSE® electrical appliance the following basic precautions should always be followed including the following:

1. Read all instructions before using.
2. Please check the voltage in your wall outlet corresponds to the one marked on the rating plate of the appliance.
3. Do not operate the SBOSE® appliance if the appliance malfunctions or has been damaged in any manner. Return it to the nearest authorized service center for repair or adjustment.
4. If the supply cord is damaged it must be replaced by the manufacturer or its service agent or a qualified technician in order to avoid electric shock.
5. Place the SBOSE® appliance on the flat surface. Do not place on or near a hot gas or electric burner, or in a heated oven.

6. Do not let supply cord hang over the edge of table or counter.
7. Unplug from outlet when not in use and before cleaning. Allow to cool before putting or taking off parts, and before cleaning the appliance.
8. Do not immerse cord, plug or the Power Base into water or other liquid in order to protect against fire, electric shock and injury to persons.
9. The use of accessory not recommended by the manufacturer may result in fire, electric shock or injury to persons.
10. Close supervision is necessary when the appliance is used by or near children.
11. Do not use SBOSE® appliance for other than intended use.
12. This appliance is not intended for use by persons (including children) with reduced physical, sensory or mental capabilities, or lack of experience and knowledge, unless they have been given supervision or instruction concerning use of the appliances by a person responsible for their safety.
13. Children should be supervised to ensure that they do not play with the SBOSE® appliance.
14. Do not use outdoors.
15. Save these instructions for future reference.

### **Household use only**

#### **How to use SBOSE® Citrus Juicer**

Before first use wash the SBOSE® Citrus Juicer according to the instructions of below Cleaning Section.

1. Connect the SBOSE® Citrus Juicer to the power supply and adjust the respective position of lower and upper sieve to your desired sieve hole.
2. Cut the citrus into two halves and press the citrus halves against the reamer with a force that could make the motor rotate. Pressed until the flesh of citrus is squeezed. The motor will be de-energized once released.
3. Disconnect the power supply and remove Reamer, Upper & Lower Sieve out and pour out the juice to cup for serve once the squeezing process complete.

Note: Do not operate the SBOSE® Citrus Juicer **15S ON and 15S OFF,30**

minutes cooling after each 10 cycles.

## Cleaning

1. Detach the Lid, Reamer, Sieve, Cup and immerse them in water for cleaning. Do not place them in dishwasher and no abrasive cleaner shall be used.
2. Never immerse the Base Unit and supply cord into water for cleaning as the electric shock may arise.
3. Dry all parts with soft dry cotton cloth and assemble them in position. Wrap the cord into the storage groove for easier storage.

## ENVIRONMENT FRIENDLY DISPOSAL



You can help protect the environment!

Please remember to respect the local regulations: hand in the non-working electrical equipments to an appropriate waste disposal center.

FIVE STAR ESTABLISHMENT  
P.O.BOX:4734,SAFAT:13048,KUWAIT.  
Tel:00965- 2240 1482,  
Email:fivestarest@gmail.com  
Http://www.5starest.com