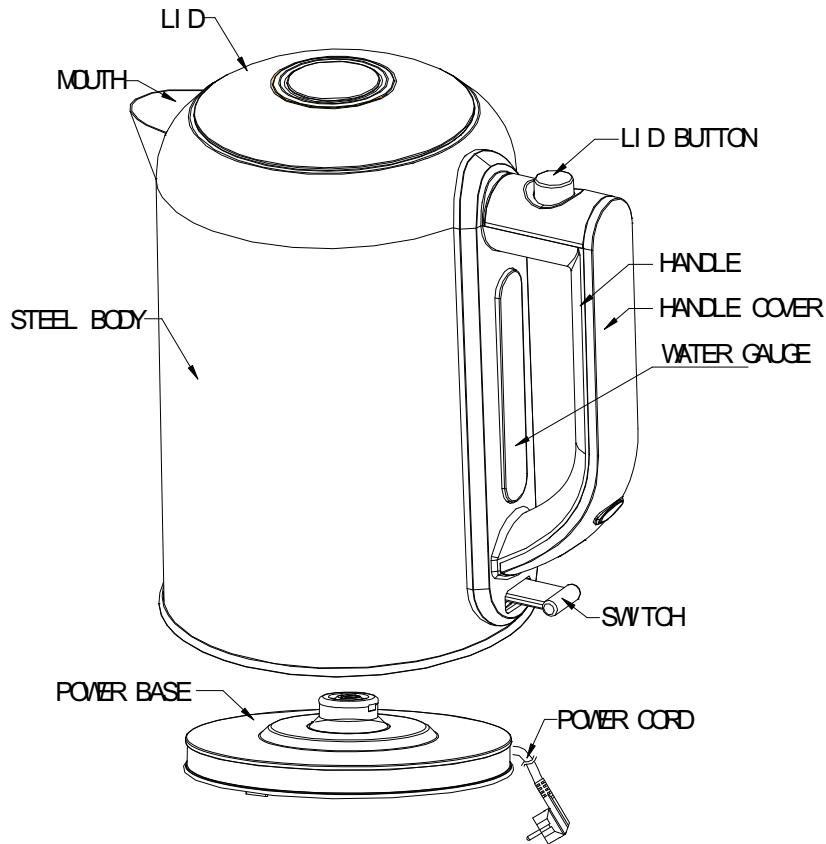




USER'S MANUAL

WATER KETTLE



Designed & Engineered by SRV Group

Thank you for purchasing SBOSE Electrical Water Kettle.
Please keep these instructions for future use.

SBOSE KETTLE INTRODUCTION

Model: SB-173

Electric Water Kettle

Electrical parameter

220~240V 50/60Hz AC

Power: 2000-2400W

Frequency: 50/60Hz

Rating Capacity : 1.7L

SBOSE ELECTRIC KETTLE GENERAL FEATURES

- Steel body and limpidity water gauge.
- Auto Cut-out devise: - It will shut off the power supply after the water is boiled; and the light will be turned off.
- Overheating protection:- In the event of overheating, such as operating without water in the kettle or the water being boil-dry, the SBOSE kettle will be automatically shut down to prevent further damage.
- Removable net easy to wash.
- Cord storage with anti-pull feature.

SBOSE KETTLE IMPORTANT SAFEGUARDS

When using SBOSE electrical appliance , the following basic safety precautions should always be followed :

- Read all instructions before using.
- Before connecting the SBOSE kettle to the power supply, check that the voltage indicated on the appliance corresponds with the voltage in your home. If this is not the case, contact your dealer and DO NOT use the kettle.

- **SBOSE kettle just can be used with supplied power base; do not use it with other sets.**
- **If the supplied cord or any part is damaged, it must be replaced by the manufacturer or its authorized service agent to avoid a hazard.**
- **Unplug SBOSE kettle from outlet when not in use or pouring water in the vessel.**
- **Do not hang the power cord on the edge of table or touch the appearance with high temperature, to avoid damage the power cord.**
- **Place the appliance on the flat surface. Do not place on the heated surface or near hot gas or electric burner or in a heated oven.**
- **Please do not boil when empty, this will damage the heating plate. While using if the water is dried please immediately stop using and wait for 15 minutes before re-using with water level higher than point of 0.6L as marked on the body.**
- **Ensure that the SBOSE kettle is used on a firm and flat surface where the children can't touch.**
- **To protect against electric shock, do not immerse cord, plug, power base and kettle in water or other liquid.**
- **After or while boiling, please do not touch the steam, block the steam spout and do not open the cover.**
- **When pouring boiled water, be careful.**
- **Before cooling, if you need re-use, please be careful while pouring the water into kettle.**
- **While in use, please keep far from the children, pulling the power cord or knocking the body can cause accidents.**
- **SBOSE Kettle is just for boiling water.**
- **Only handle and switch can be touched when hot water is in the SBOSE kettle. DO NOT TOUCH THE BODY.**
- **SBOSE kettle is for indoor use only, not for outdoor.**

- **Take good care when moving the SBOSE kettle with full boiling water.**
- **Do not let children play with this product.**
- **DO NOT USE accessories, attachments or put any objects while boiling the water. This may result in fire, electric shock or personal injury.**
- **Unplug SBOSE Kettle when washing and do not let water run into electrical inputs like connector or ON/OFF switch this will damage your kettle. Only inner part of SBOSE kettle is washable. Take caution while washing. In case if water gets into these parts wipe off with dry cloth and leave it until it get dry before re-use.**
- **Any maintenance must be done when the machine not hot.**
- **When boiling, please insure that lid is covered well in order to avoid water splitting out.**
- **After boiling, do not press the button down with force. This will damage the switch.**
- **While using, do not put the power base on the metallic plate or metallic appearance.**
- **If SBOSE kettle is over-filled, while boiling the water please reduce some water and continue boiling. Water level must not be more than 1.7L mark on the body.**
- **SBOSE kettle must only to be used with the stand provided.**
- **This appliance is not intended for use by persons (including children) with reduced physical, sensory or mental capabilities, or lack of experience and knowledge, unless they have been given supervision or instruction concerning use of the appliance by a person responsible for their safety.**
- **If children are using this product it should be under supervision of an adult.**
- **The appliance must not be immersed.**

SBOSE KETTLE OPERATION

It is recommended to operate SBOSE kettle several times following the below instruction and discard off the water before first use. This will remove the material or dust remained in the appliance which is caused by the manufacturing process.

1. Open the lid and fill water into SBOSE kettle. Then close the lid otherwise the kettle could not be cut off power automatically after water is boiled.
2. **CAUTION:** Filled water level must be between the “0.6L” to “1.7” levels as indicated on the unit body. Too less water will do damage to the heating element and too much water may be spilled out in this case pour the extra water and replace the kettle on the Power Base and connect to power supply.
3. Always position SBOSE kettle spout facing away from you.
4. Press the switch down and the lamp will be illuminated and water will slowly heated up. Do not remove the lid while the water is boiling.
5. Power will be cut off automatically and switch will jump to OFF position after the water is boiled and the lamp will be off.
6. The boiling process can be terminated at any time by lifting the kettle off the Power Base.

CAUTION:

- Never operate the appliance empty. In the event of this case occurred, terminal will cut off power automatically. Unplug the appliance and let it completely cool down before re-use.
- The filter must be in place during operation otherwise water spillage may occur.

SBOSE KETTLE CLEANING & MAINTENANCE

Remember to remove the plug from wall outlet and let the appliance completely cool down before cleaning.

- 1. Do not immerse power cord, kettle and Power Base in water.**
- 2. In order to maintain the polish of the outer surface, do not use abrasive cleaner to wipe the unit body.**
- 3. Periodical de-scaling is needed. The interval of de-scaling depends on the hardness of water in your living area and the frequency your using SBOSE kettle.**
- 4. Filter can be easily detached for cleaning. To detach simply pull it out and to attach inset first into support dent.**
- 5. The power cord can be easily stored by circling it clockwise to the bottom of the power base.**
- 6. Do not attempt to dismantle the kettle or power base. No user serviceable parts inside it. For any problem, contact the authorized service facility for help.**